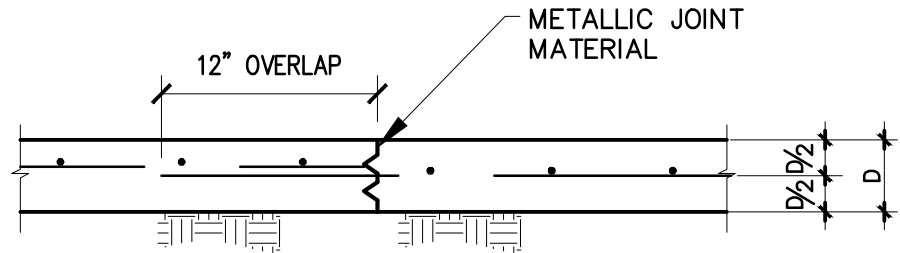
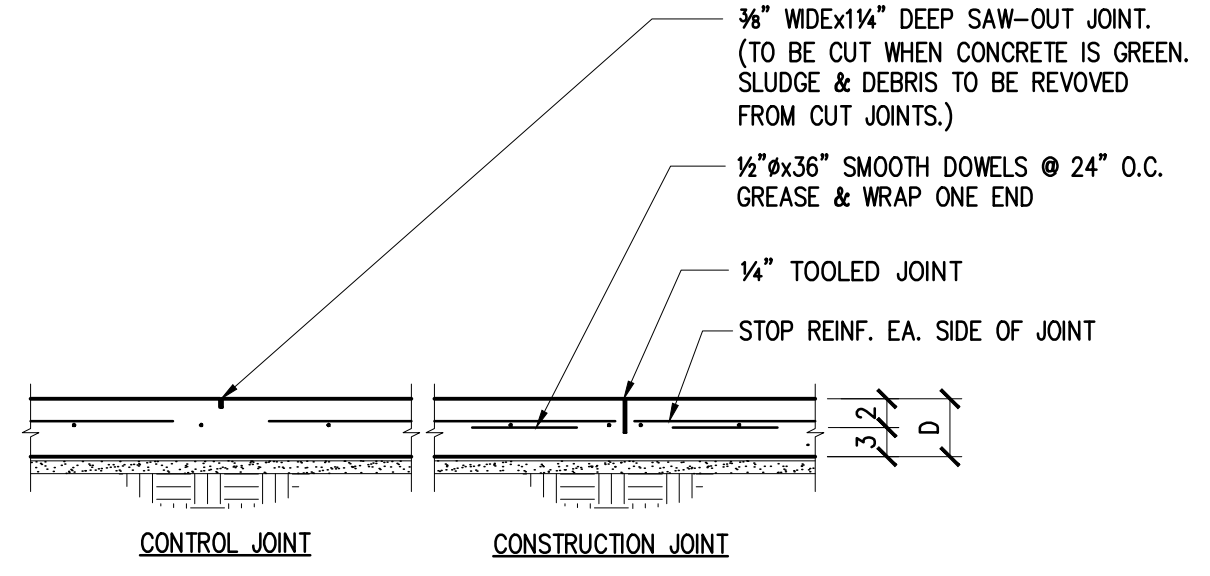


**TYPICAL REINFORCEMENT DETAILS
@ GRADE BEAM INTERSECTIONS**

NOTE: WHERE "JOINT" IS CALLED OUT ON PLAN, CONTRACTOR MAY PROVIDE CONSTRUCTION JOINT OR CONTROL JOINT AT HIS OPTION.

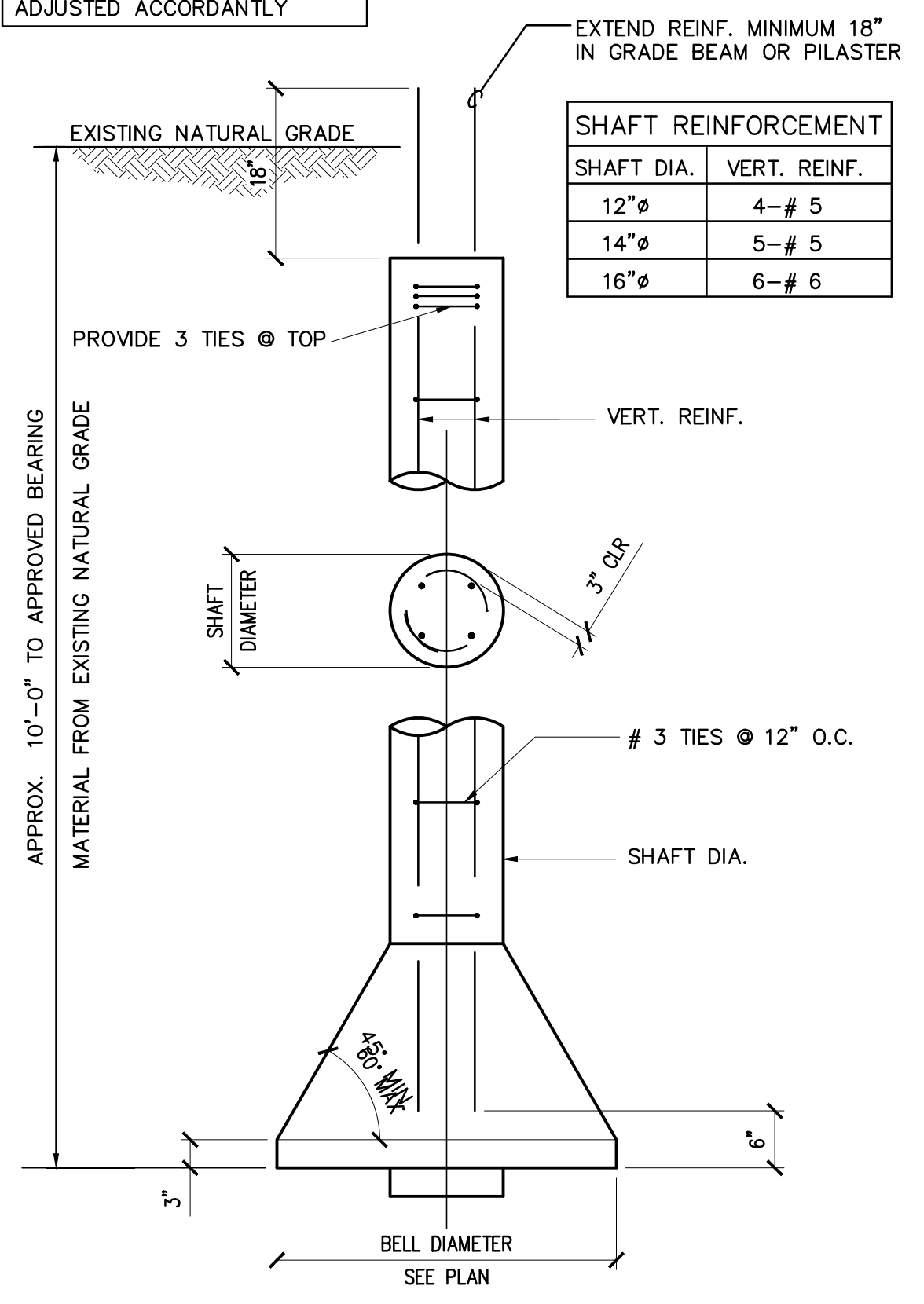


TYPICAL KEY WAY DETAILS
SCALE: NOT TO BE SCALE

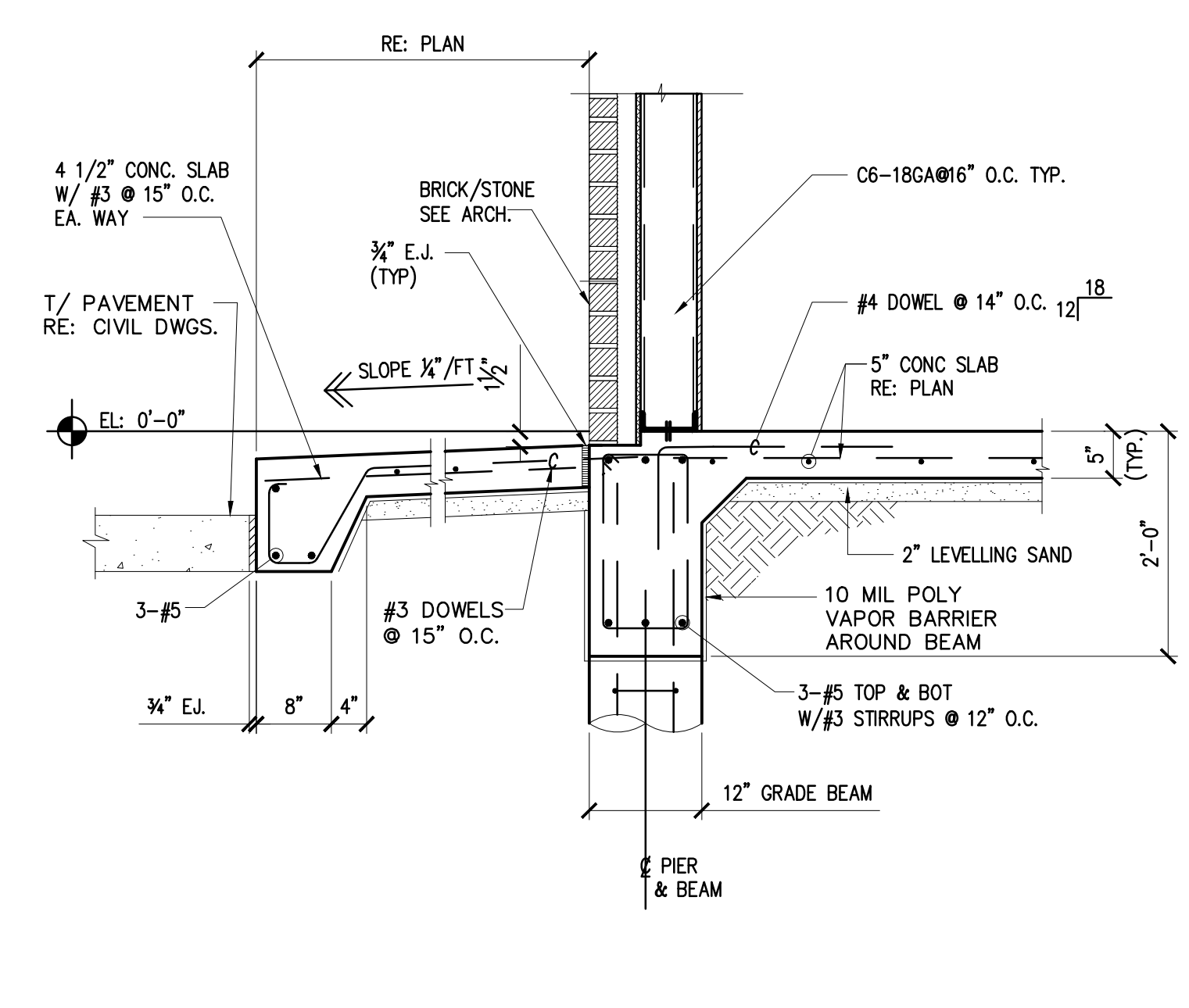


TYPICAL SLAB JOINT DETAILS

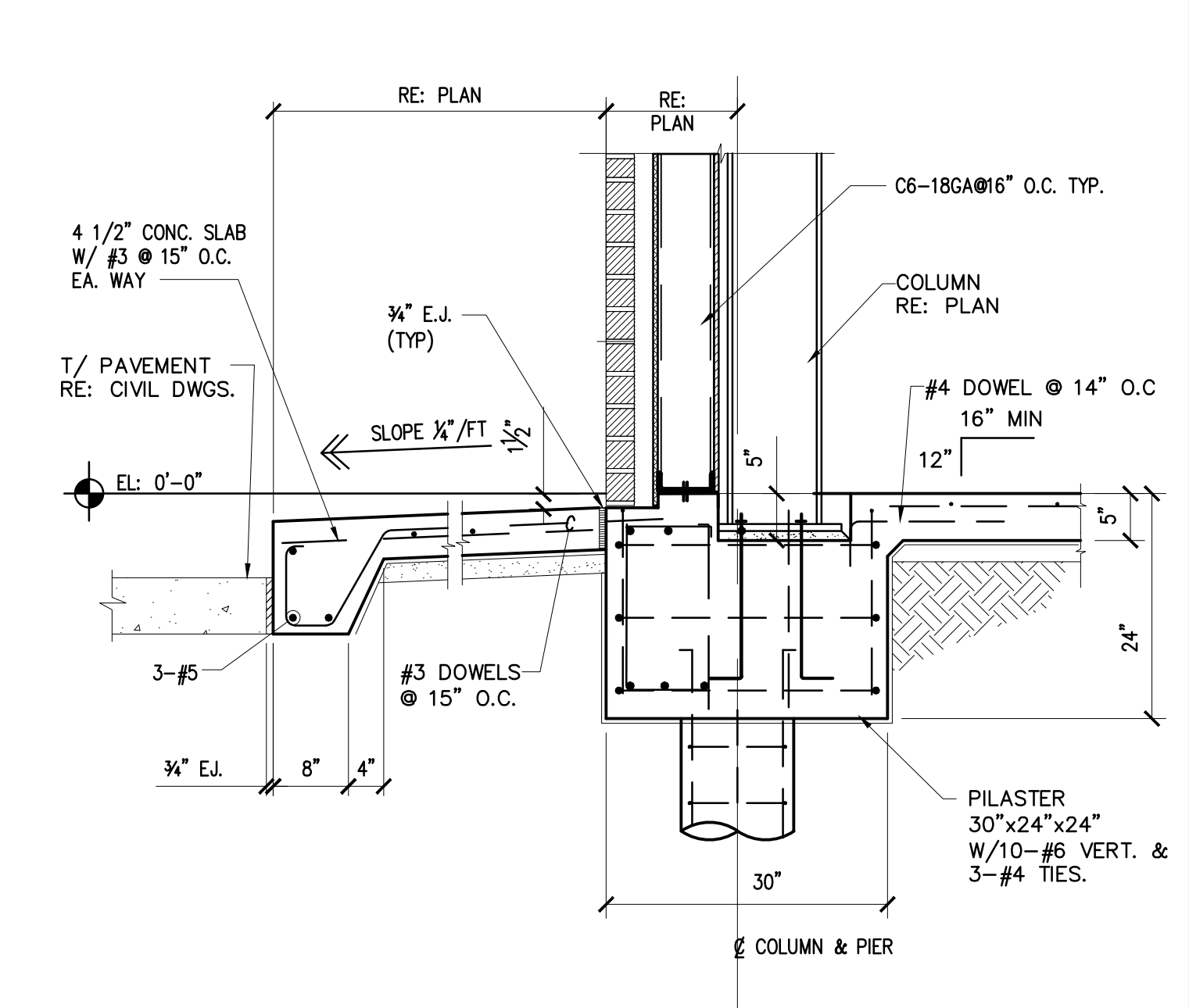
NOTE: IF YOU ADD DIRT TO RISE THE NATURAL GRADE, PIER DEPTH WILL CHANGE AND MUST BE ADJUSTED ACCORDANTLY



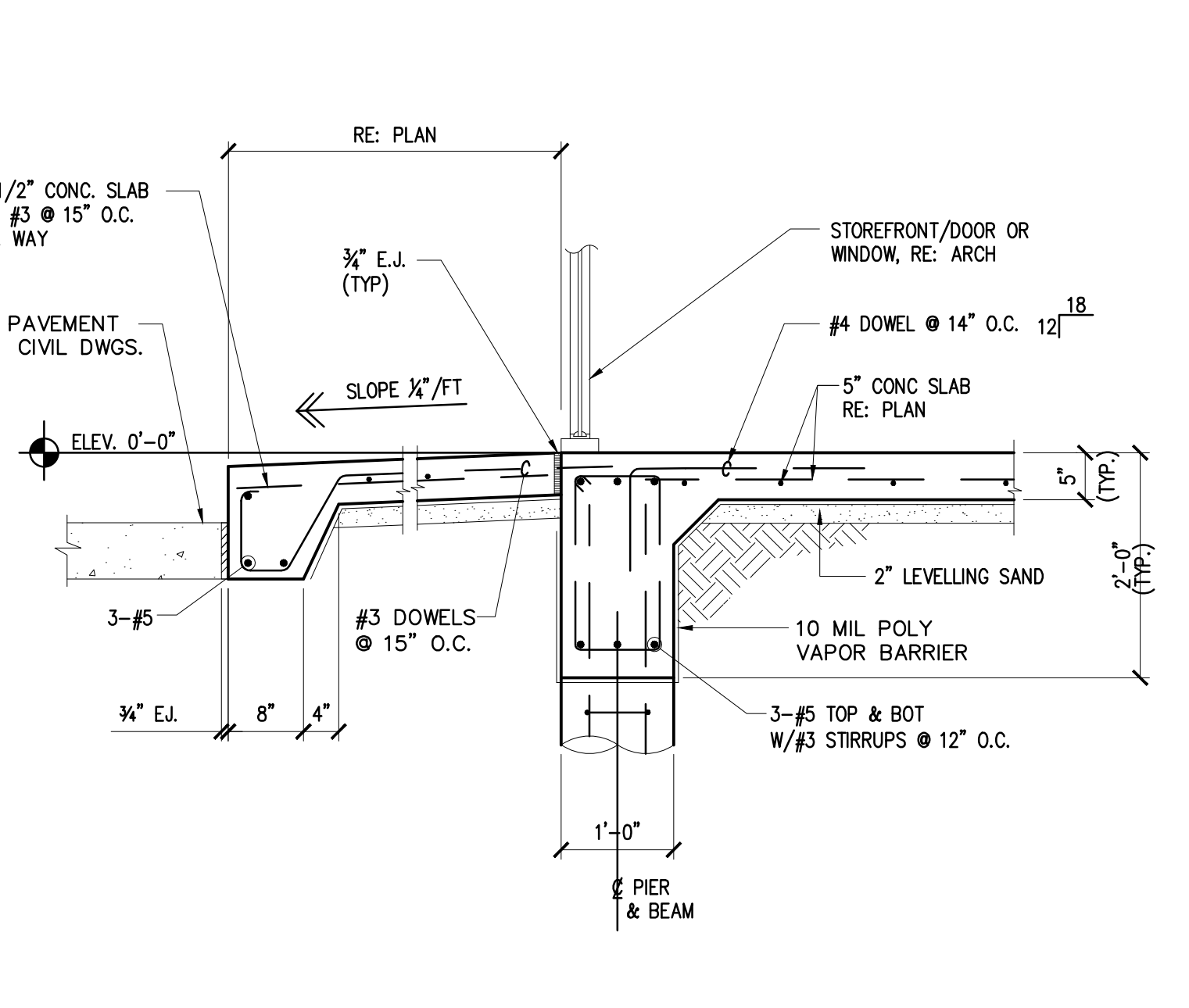
TYPICAL DRILLED PIER DETAIL



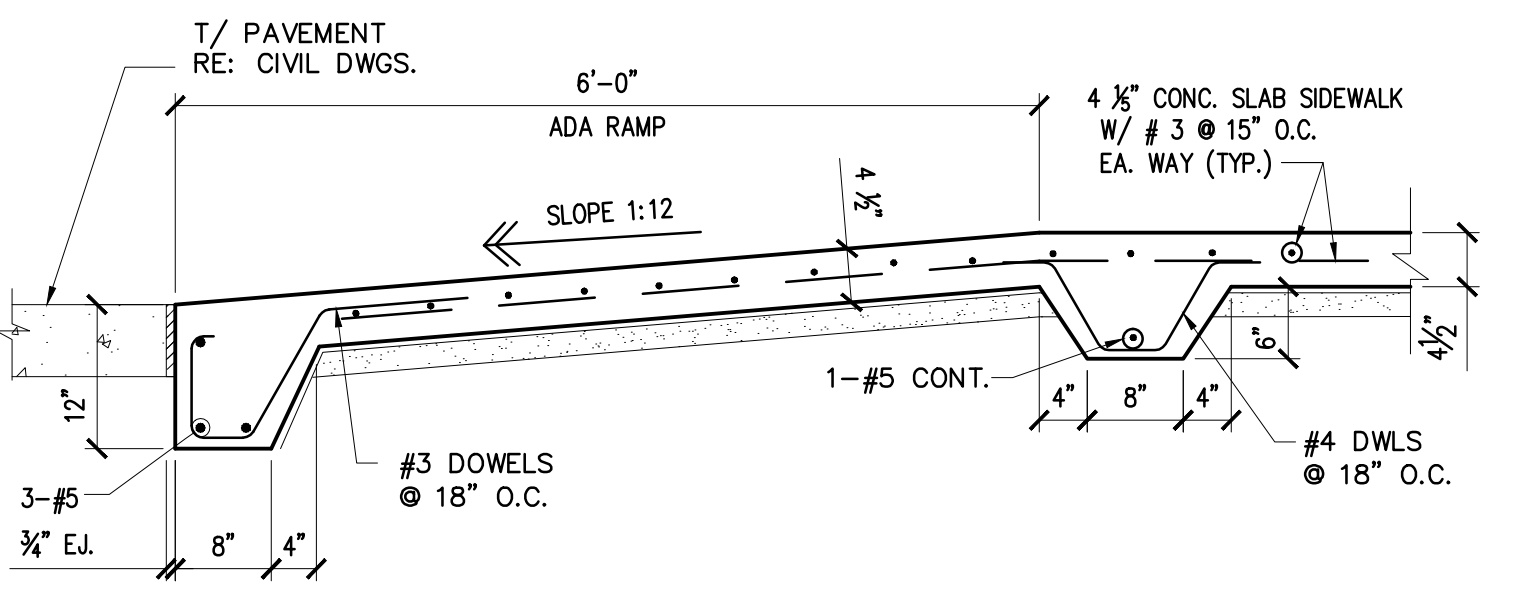
1 SECTION: GRADE BEAM AT MTL. STUD WALL WITH STUCCO



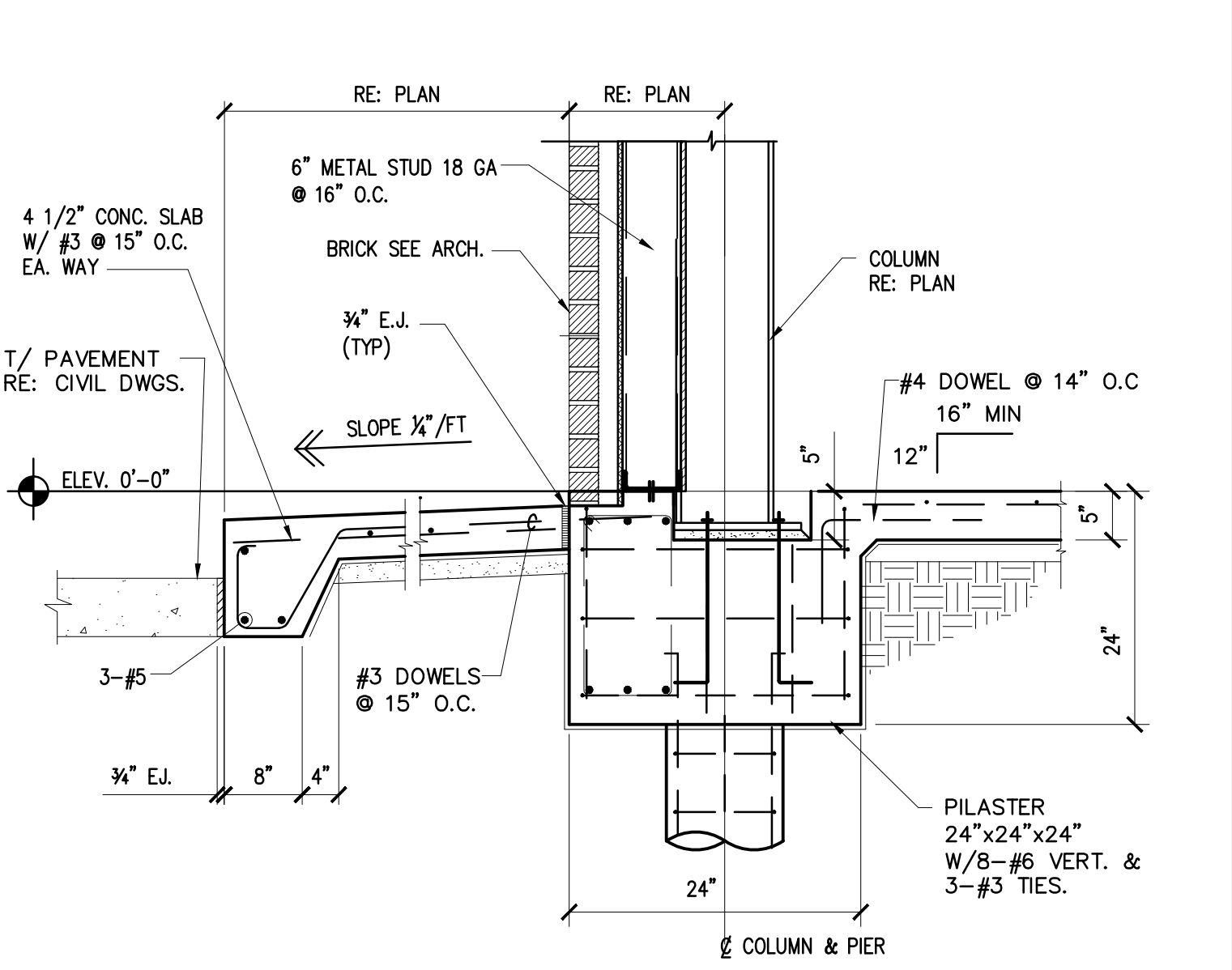
2 SECTION: COLUMN PILASTER AT MTL. STUD WALL WITH STUCCO



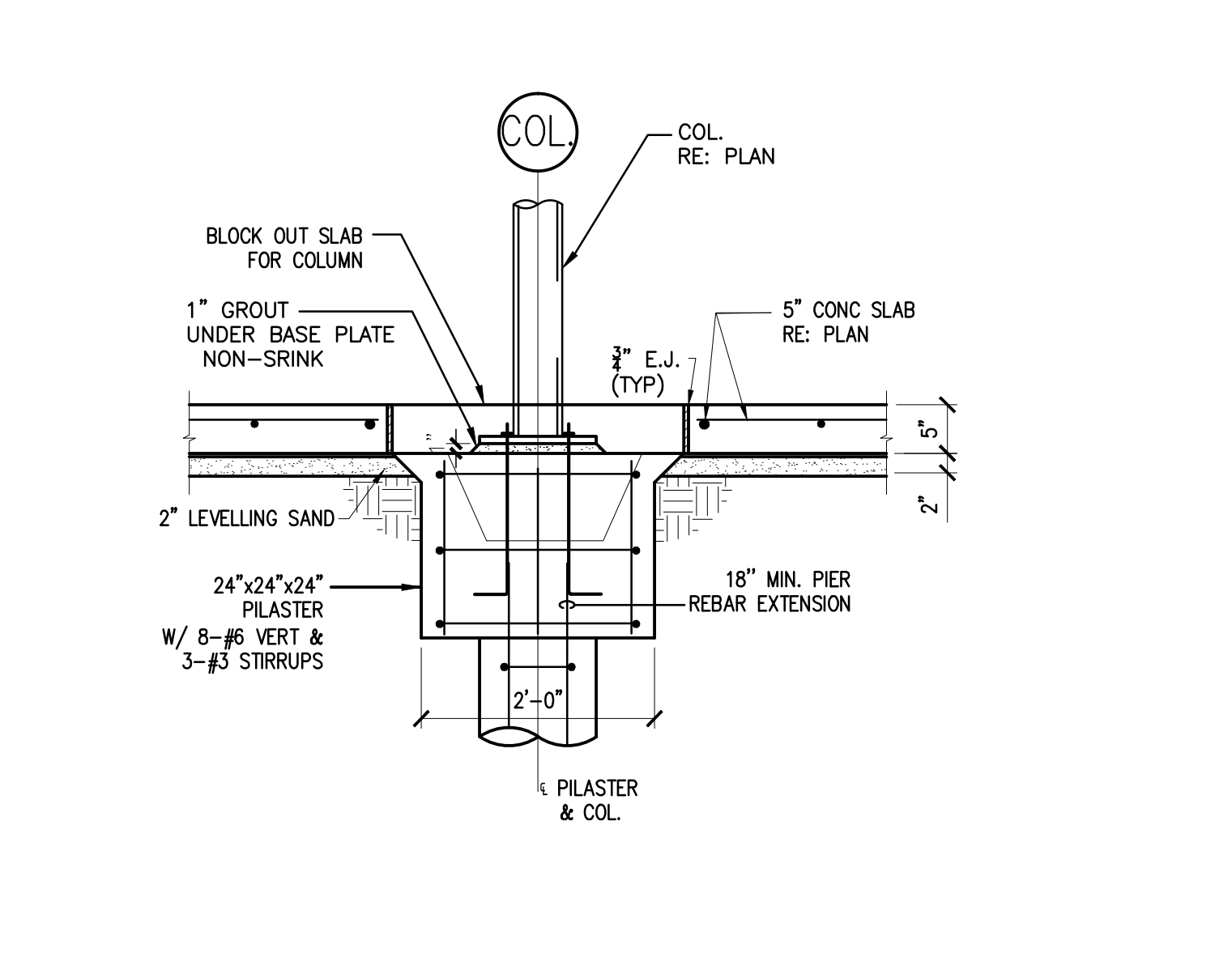
3 SECTION: EXTERIOR GRADE BEAM AT DOOR WAY OR WINDOW



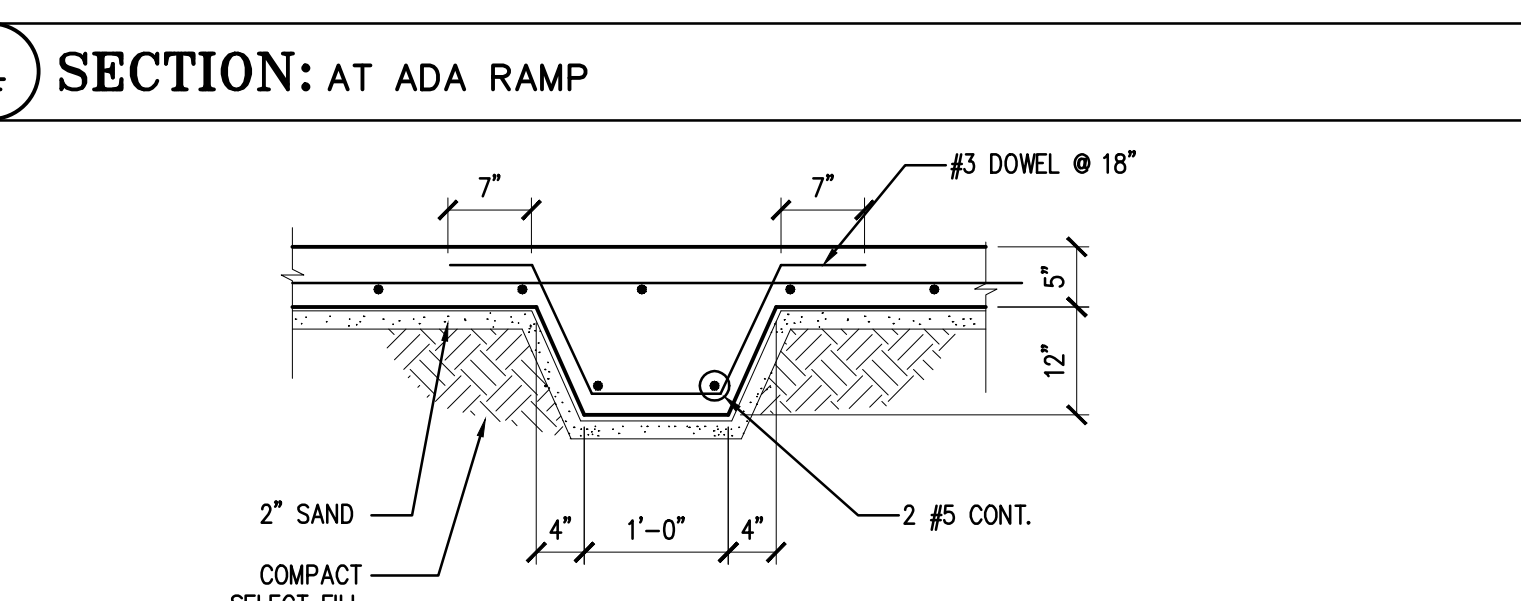
4 SECTION: AT ADA RAMP



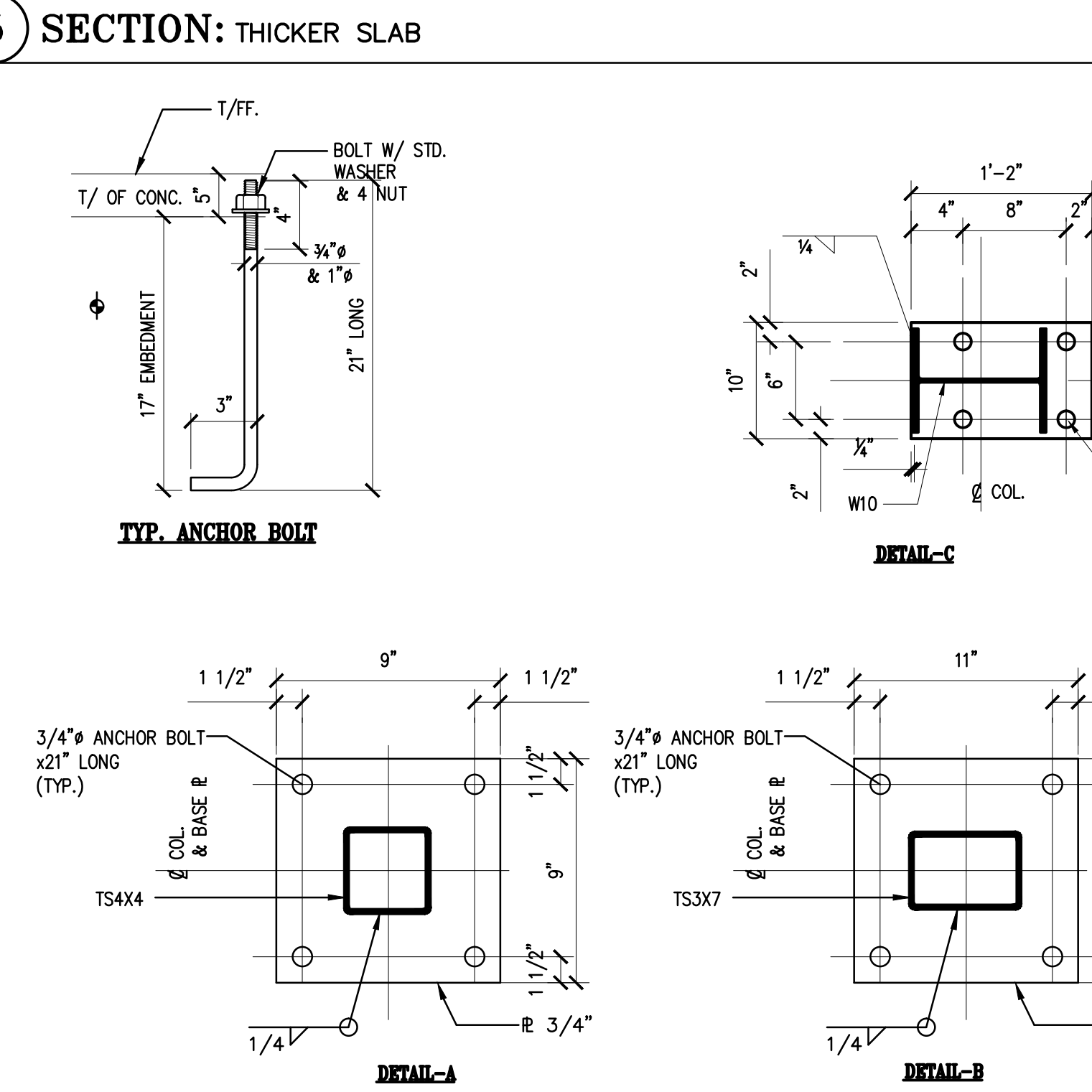
6 SECTION: COLUMN PILASTER AT SIDE MTL. STUD WALL WITH BRICK



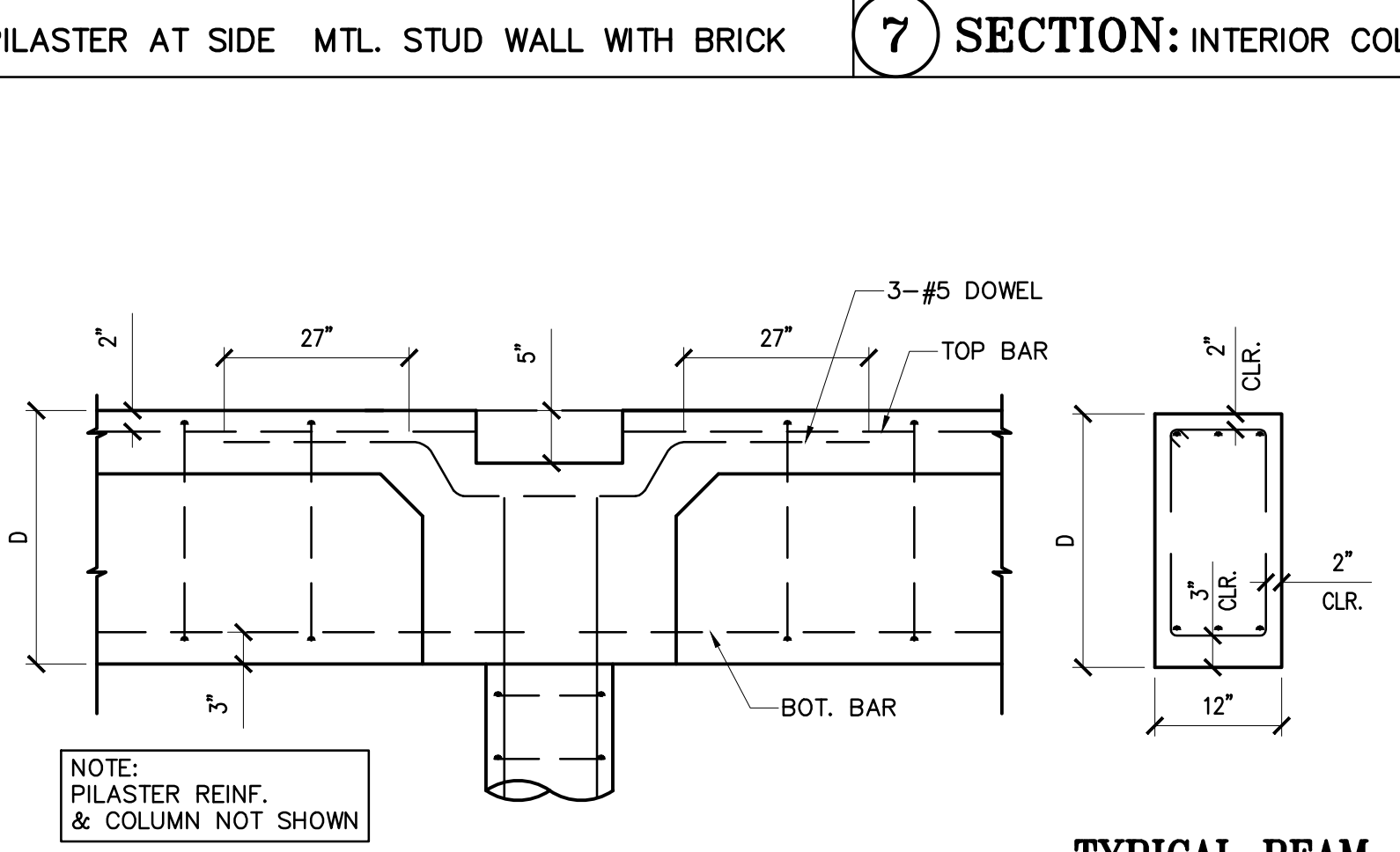
7 SECTION: INTERIOR COLUMN



5 SECTION: THICKER SLAB

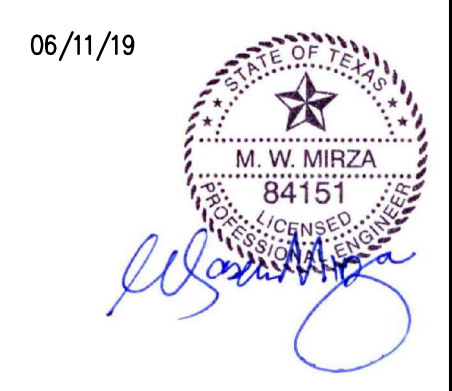


TYP. BASE PLATE DETAILS



TYPICAL BEAM TOP & BOTTOM BAR DETAIL AT PILASTER

TYPICAL BEAM STIRRUP DETAIL



PE BUILDINGS BRIDGES INSPECTIONS MARINE STRUCTURES CIVIL ENGINEERING & STRUCTURAL ENGINEERING

PARAMOUNT ENGINEERING LLC

10145 LONG POINT DR. HOUSTON, TX 77043
TEL : (713) 636-9977
FAX : (281) 888-9128
CEL : (713) 204-1742

PROJ. NO.: PE19-105

NO.	DESCRIPTION	DATE
1	FINAL SCHEME	02.01.19
2	REV/FINAL SCHEME	02.07.19
3	CD REVIEW	04.15.19

FOUNDATION SECTIONS & DETAILS

Project No.	1801.74
Date	
Drawn by	
Checked by	
Sheet No.	